

GCSW36V

COMMERCIAL VEHICULAR SWING GATE OPERATOR



NEW

The model GCSW36V swing gate operator is designed for commercial gates that require continuous duty cycle capability. Robust mechanical design and advanced control features set a new standard for productivity.

STANDARD FEATURES:

- Dual line backlit LCD display
- Adjustable speed
- Advanced 315/390Mhz radio receiver stores up to 250 Intellicode® transmitters with unique ID
- Aladdin Connect® ready (with optional Wi-Fi board)
- Timer to close
- Battery backup
- Up to 150 cycles on fully charged batteries
- On-board solar charge controller
- Split cover allows for full access to operator without removing arm
- Rack for pluggable loop detectors
- Surge protection on field wiring inputs
- Four monitored safety inputs
- Two auxiliary relays, configurable from LCD
- Built-in 7-day timer
- Primary/secondary control for dual gates

SPECIFICATIONS:

- 115VAC, field adjustable to 230VAC
- 100% Continuous Duty Cycle
- Rated for use on gates up 18 ft wide or 1500 lbs
- -20° to +60°C (-40° to +60°C with optional heater)
- (2) 7Ah batteries included
- 5 Year warranty
- UL 325 Listed, Class I, II, III, and IV
- 24VDC switched and constant accessory power, up to 800mA combined

CONSTRUCTION:

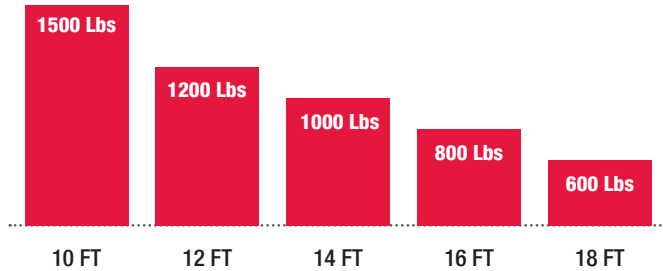
- 36V Brushless DC Motor
- Direct drive motor to dual gearboxes with worm in oil bath reduction
- Electro-mechanical limits stay synced through power loss
- Adjustable clutch hub with manual release lever



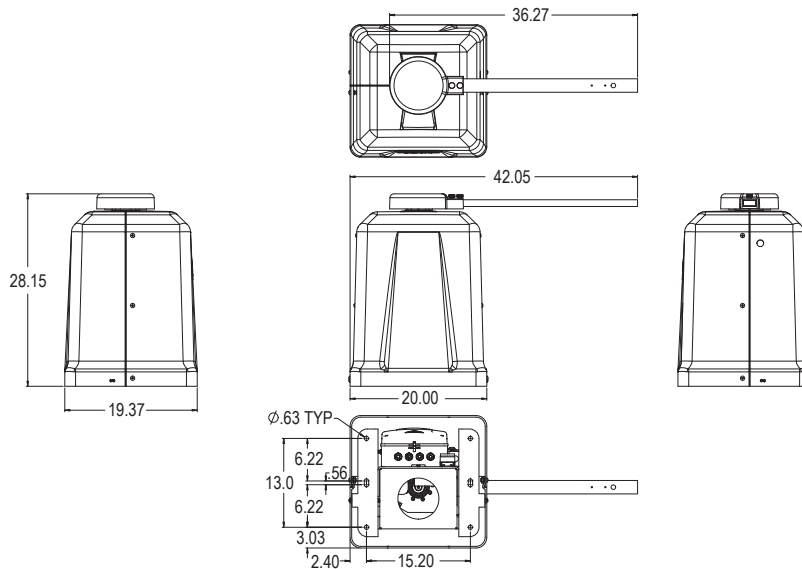
GCSW36V | COMMERCIAL VEHICULAR SWING GATE OPERATOR



GATE WEIGHT / LENGTH RATINGS:



DIMENSIONS:



OPTIONS:

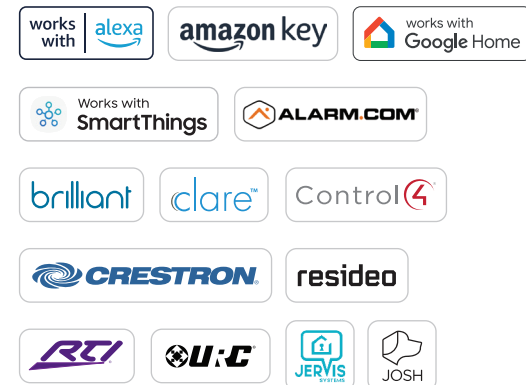
- Solar panel kits
- Wireless Primary/Secondary Link
- 33Ah Batteries
- Heater kit (AC powered only)
- Post mounting kit
- Wi-Fi board for Aladdin Connect®



Wi-Fi connectivity (Optional)

Remotely monitor and control your gates and doors from almost anywhere with your smart device. Time-based features allow you to set gates and doors to automatically close and/or notify after a set length of time; as well as schedule a specific hour and minute to close your gates and doors and/or notify when they do. Also allows for multiple individual user accounts so you can provide virtual key access to a friend, relative, or service person for a certain time, a range of time, or permanently.

Compatible with:



The Genie Company, One Door Drive, Mt. Hope, Ohio 44660
www.geniecompany.com | 1.800.843.4084

Item G001.0320 (Rev. 1/25) 300 02/25 JAR

© 2025 The Genie Company. Genie, Intellicode, Aladdin Connect and the Genie logo are registered trademarks of GMI Holdings, Inc., d/b/a The Genie Company. Consistent with our policy of continuing product improvement, we reserve the right to change product specifications without notice or obligation. | © 2025 Google LLC All rights reserved. Google Assistant & Google Play are trademarks of Google LLC. | Amazon, Echo, Alexa, & all related logos are trademarks of Amazon.com Inc. or its affiliates.